



FOLDING PERGOLA

Redefine the outdoor leisure space

Folding canopy is a new outdoor space expansion scheme. Special curtain through the motor drive belt movement in the aluminum alloy track, so as to achieve the opening and closing of the curtain, so that users freely enjoy the fun of outdoor space, while providing the function of shading and rain, replacing the traditional fixed ceiling awning and sun room, redefine the solution of outdoor space.

Color	Black grey/white, special customizable	Cross bar interval	450-500mm
Material	6063, aluminum alloy	Lamp strip	Silicone waterproof, 3000k brightness LED
Dimension	The maximum width of a single set is 5 meters, 7 meters out	Rain protection	Complete rain protection
Surface	High density powder coating, anodized	Windproof	Maximum resistance to Force 7 wind, 50-62km/h
Motor	Import, domestic optional, five years warranty	Cloth	Heavy PVC, imported domestic optional



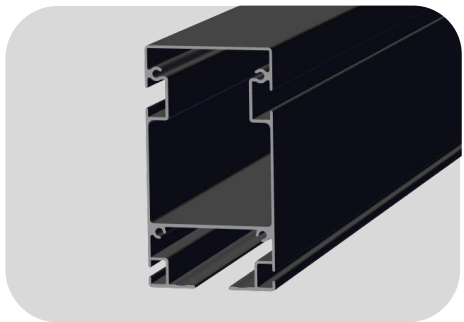
Electric control Remote control

The use of the industry's well-known high-performance silent tubular motor to control the opening and closing of the sky curtain, multi-channel wireless remote control with one button control, a switch can control multiple modules, can cooperate to control the lamp belt and supporting windproof curtain.

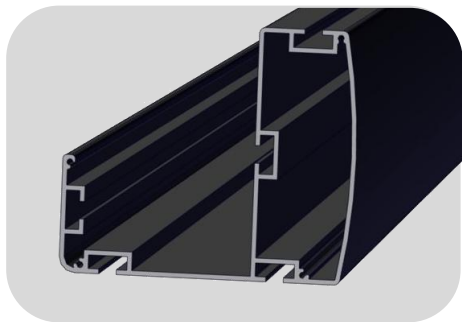


Alloy structural Functional fabric

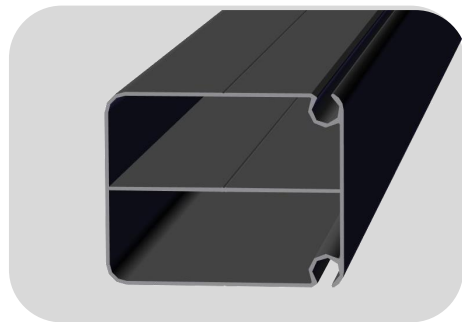
Canopy frame structure is made of high quality aluminum alloy, durable corrosion resistance, no rust; The key curtain fabric is made of heavy PVC design, 3D drill design anti-scratch anti-tear, surface with self-cleaning coating, anti-fouling and easy to clean.



Guide rail: 130x70x2.2mm



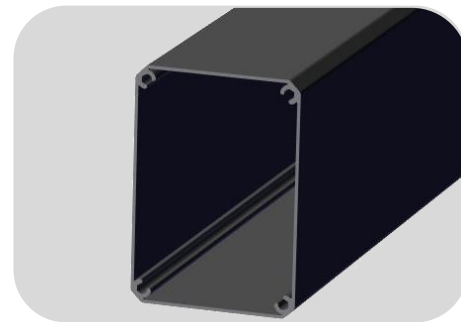
Water tank: 150x130x2.5mm



Large cloth rod: 80x65x1.3mm



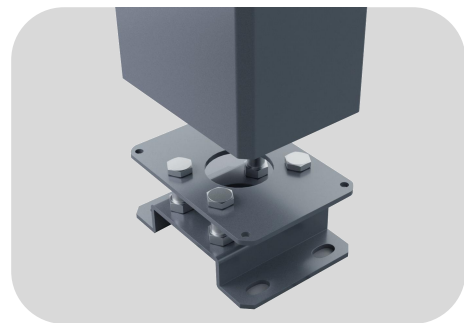
Small cloth rod: 39x65x1.3mm



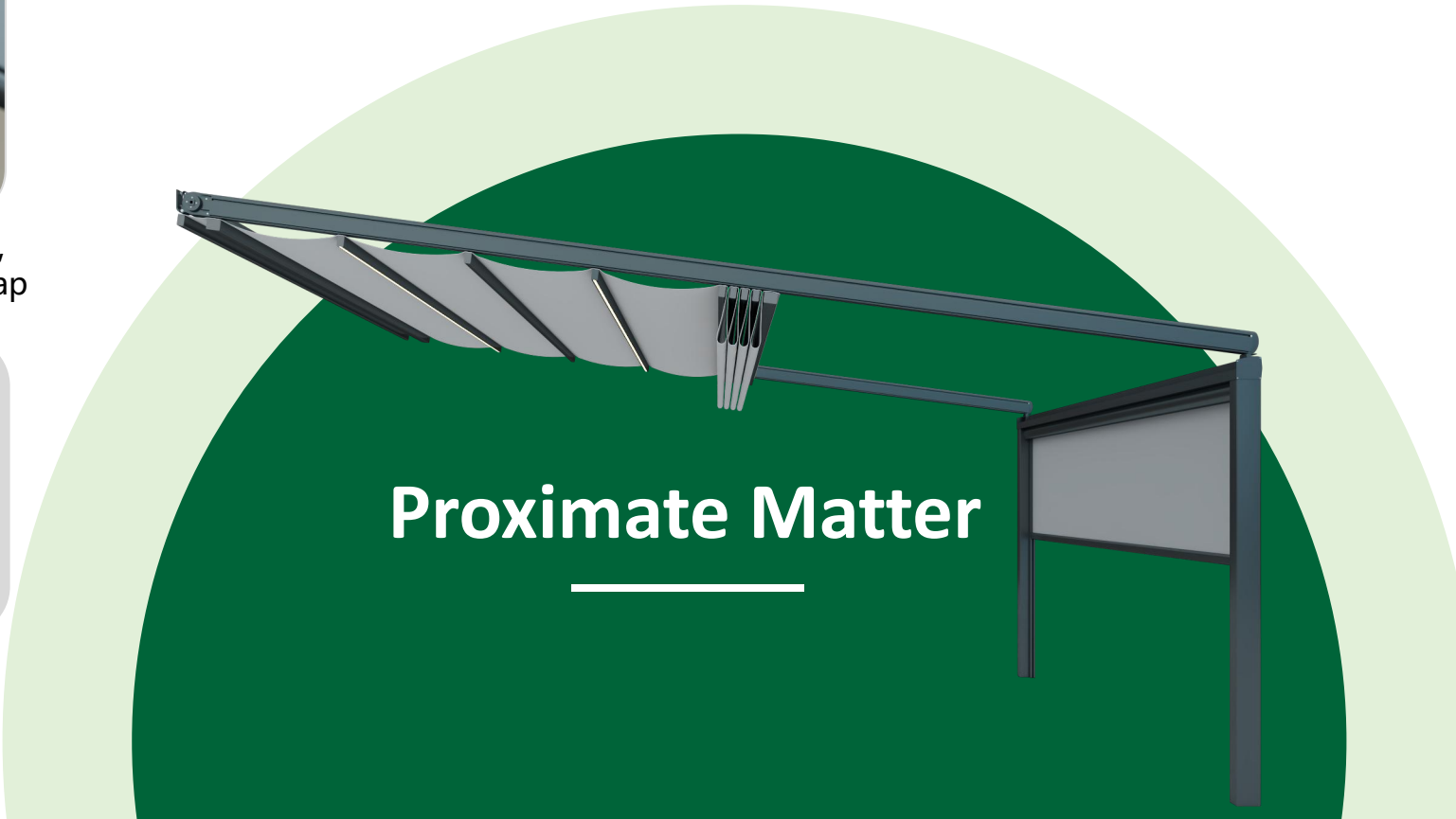
Column: 144x102x2.0mm



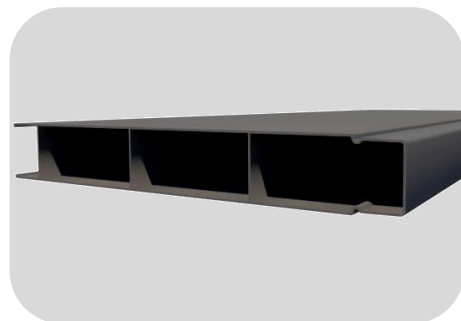
Light belt: 3000K brightness, silicone waterproof hose wrap



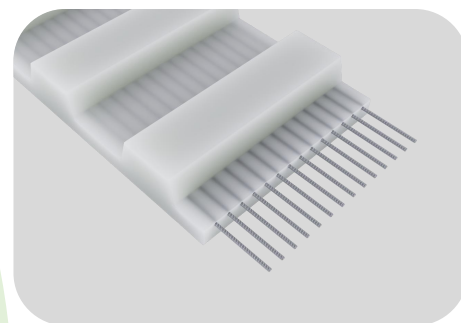
Base: double layer connection, more stable; Hidden design, the appearance is more concise and beautiful



Proximate Matter



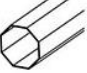
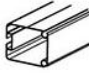






















Baffle plate: 110x13x0.5mm

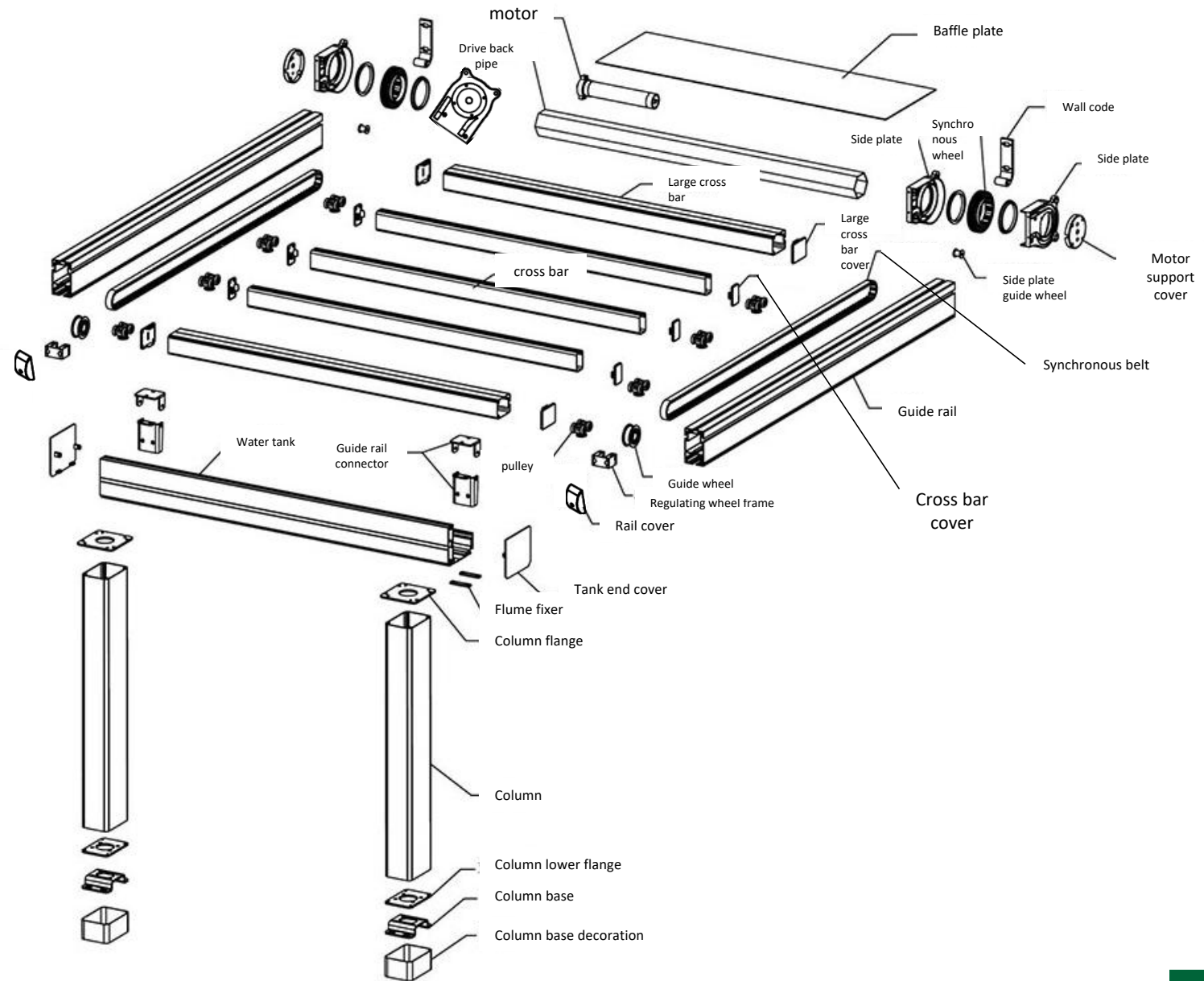


Synchronous belt: embedded 14 steel wire



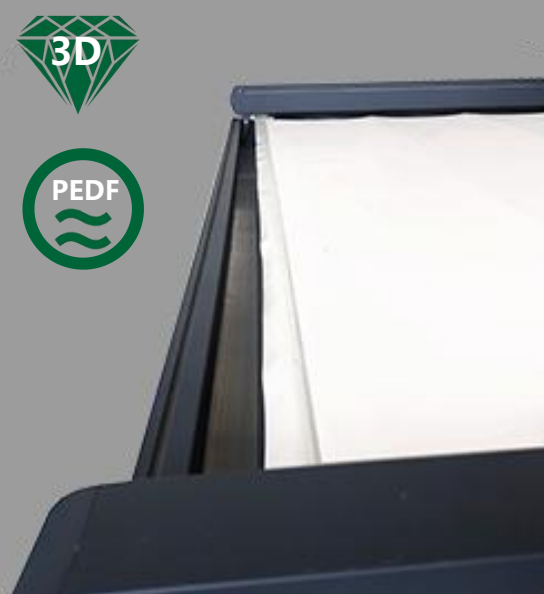
Parts list and product parts drawing

	Drive back pipe		Large cross bar		cross bar
	Guide rail		Side plate		Synchronous wheel
	Wall code		Side plate guide wheel		Rail cover
	Guide wheel		Regulating wheel frame		pulley
	Large cross bar cover		Cross bar cover		Water tank
	Column		Column flange		Column lower flange
	Column base		Column base decoration		Tank end cover
	Guide rail connector		Synchronous belt		motor



Aluminum alloy structure

The product structure is 6063 aluminum alloy material
Open molding, light weight
High strength, corrosion resistance, longer service life;
All structural profiles shall be widened and thickened
Exceeding most peer standards in the industry



Heavy PVC fabric

Fabric using heavy 850g/m²
3D drilled PVC fabric
Wear resistance, folding resistance, durable, puncture resistance, high tensile strength, no fear of hard objects impact
Double-sided with PEDF self-cleaning coating
Stains do not remain, rain wash automatic cleaning
High shading, heat insulation, waterproof and corrosion resistance, fabric flame retardant coefficient up to the European standard B1, in case of fire does not support combustion



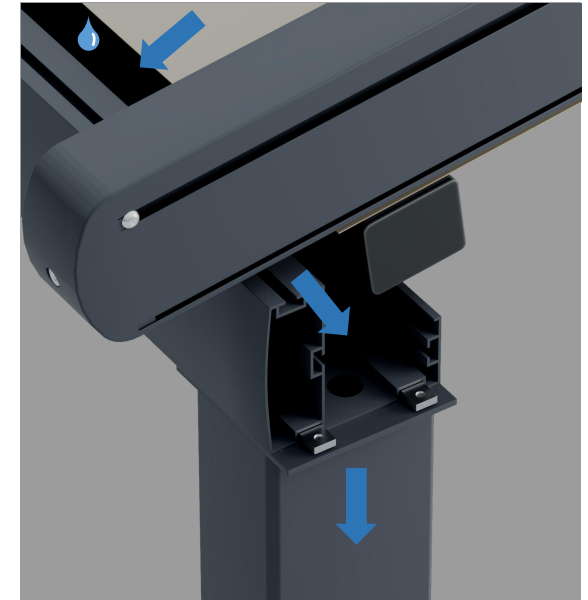
Powder spraying

The profile surface is all used Polycrystalline diamond composite sheet (PDC), plastic, resin mixed high density powder spraying, Make the material surface no corrosion, maintenance free, safe and environmental protection
Formaldehyde-free, acid-proof and alkali-proof for 20 years



Hidden drainage

The rain flowed through the curtain into the trough
There are rubber water retaining strips on both sides of the guide rail
Prevent rain from leaking from both sides
Rainwater flows through the trough into the column drain hole
Finally, it flows out from the bottom of the column



304 stainless steel

Hardware accessories and screws are selected 304 stainless steel
High strength, corrosion resistance, good performance
Durable and not easy to rust



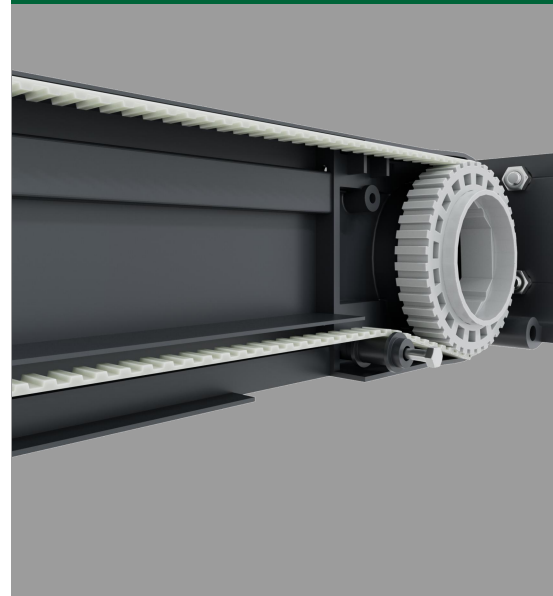
Precision NC machining

All mechanical parts, profile opening processing are used
Aluminum alloy CNC machine precision machining
Precise size and easy assembly



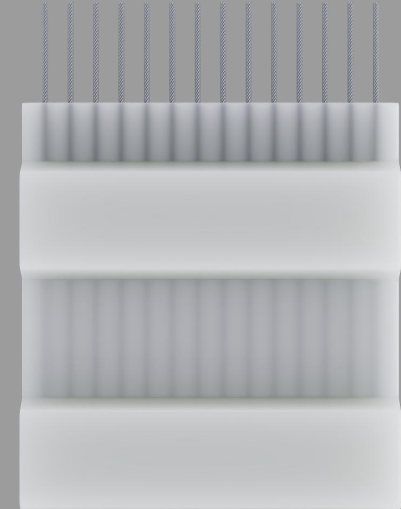
Reliable transmission structure

The transmission part uses custom high performance tubular motor
Drive the integrated forming transmission gear, the use of high strength synchronous belt and closed silent bearing to match the movement,
Smooth operation and low noise,
The transmission parts have good wear resistance and low friction coefficient
Corrosion resistance, oxidation resistance, long service life



High strength synchronous belt

The synchronous belt is embedded with polyurethane
14 high strength steel wires
Smooth transmission, cushioning and damping
Wear resistance and aging resistance, low noise and high intensity
The operating temperature range can reach -20°C-80°C

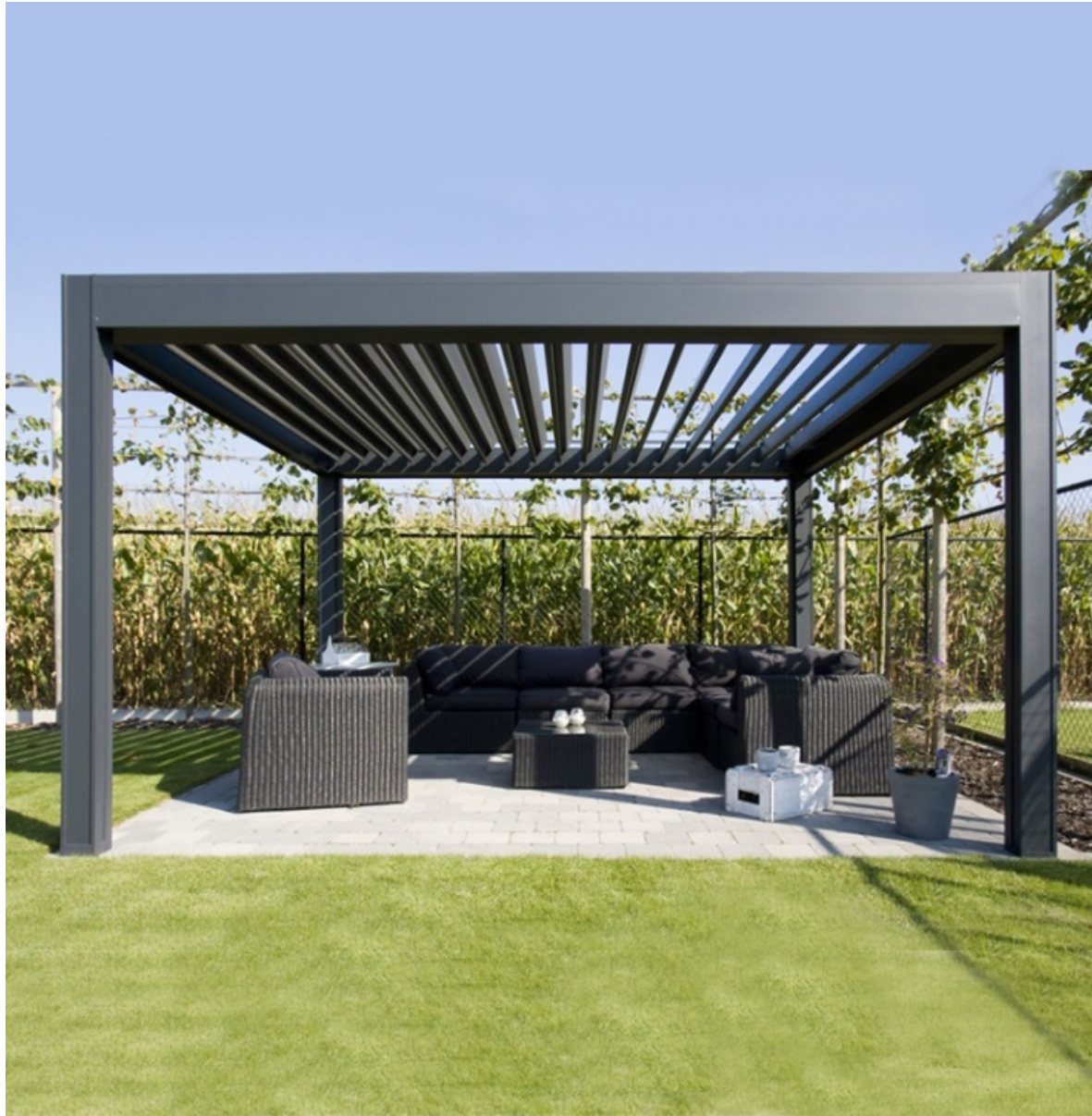


Shade by day, light by night

The folding ceiling can be optionally equipped with a high brightness waterproof light belt, a flexible silicone wrapped light belt, waterproof and non electric leakage, and a 3000K high brightness energy-saving LED lamp, During the day, it can provide you with shade and rain protection, and at night, it can also provide you with light. You can enjoy outdoor leisure time anytime and anywhere.



Product Photos



Product Photos



Product Photos



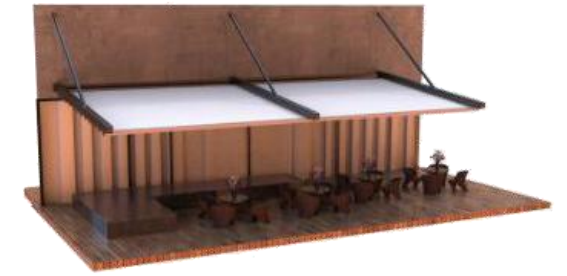




Column supported (single group)



Column support type (double assembly)



Pitman type



Wall support type (single group)



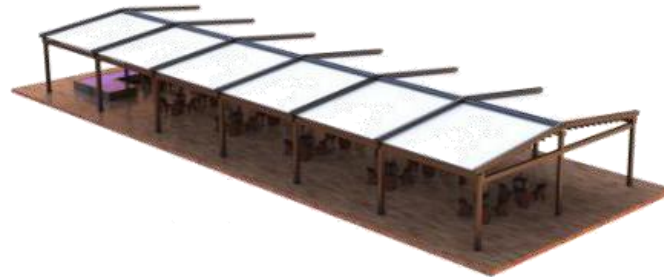
Wall support type (double combination)



Card wall type



Herringbone column support type



Multiple assembly of herringbone column

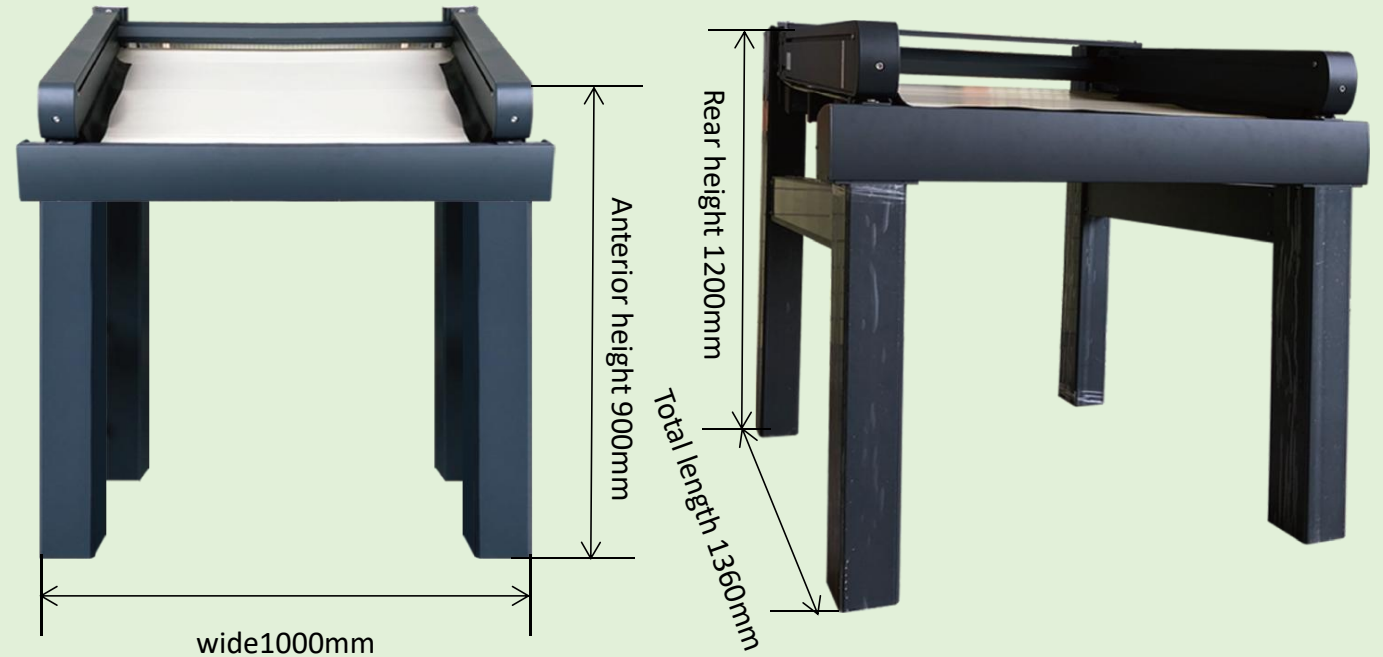


Steel structure support hoisting

Installation Method

Proportional sample

- Small floor area, about 1 m²
- Full function, including motor, light belt, remote control
- Full visual display for easy explanation
- Convenient assembly and cost saving
- Increase transaction rate





Inclined pull rod hoisting type

Lifting without columns, does not occupy ground space

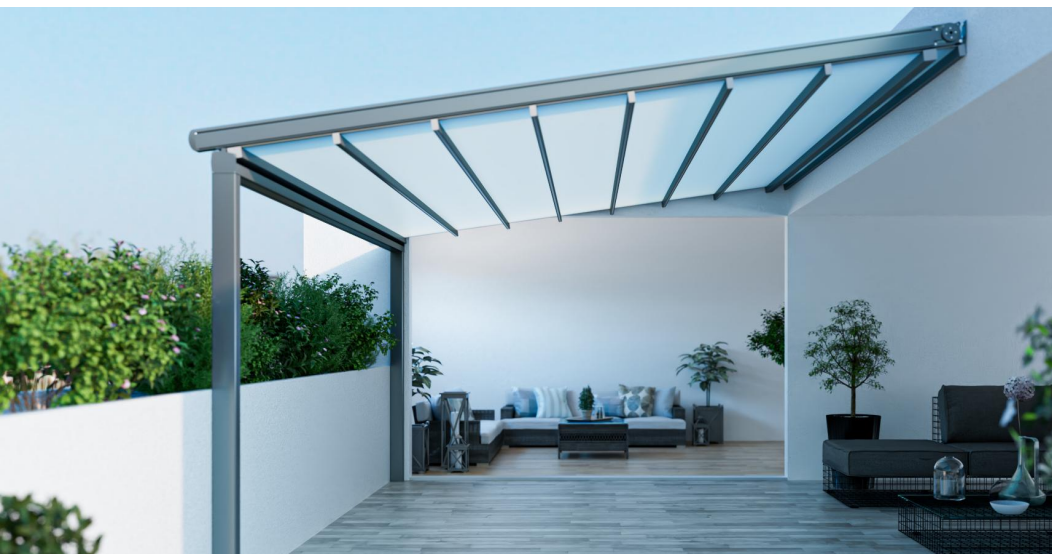
Do not damage the original landscape design

Adjustable inclination



Wall support type

Double columns supported against the wall, extending continuously in space
Suitable for high-rise terrace, outdoor restaurant, villa courtyard





Steel structure support hoisting

Suitable for large-scale outdoor dining, outdoor activity venues, and temporary construction of venues

Space applications such as marketing exhibitions, press conferences, wedding banquets, factory building expansion, building rooms and corridors





Column supported type

Convenient installation, stable structure, and wind proof roller shutter, aluminum shutter, sliding door window, etc. can be installed around
Suitable for villa courtyards, rooftops, terraces, outdoor swimming pools, outdoor dining, and other spaces