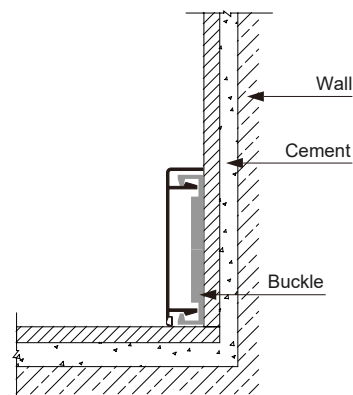
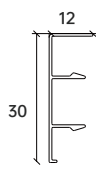
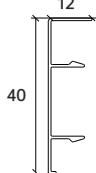
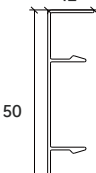
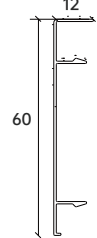
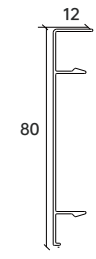
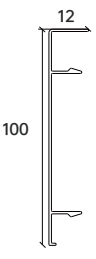
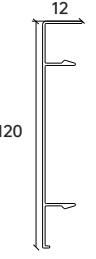
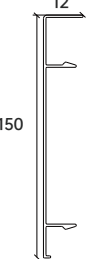




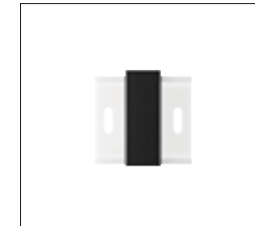

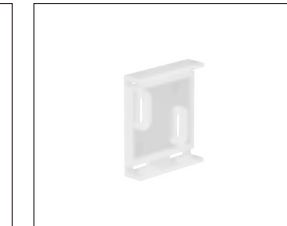
ALUMINUM SKIRTING BOARD

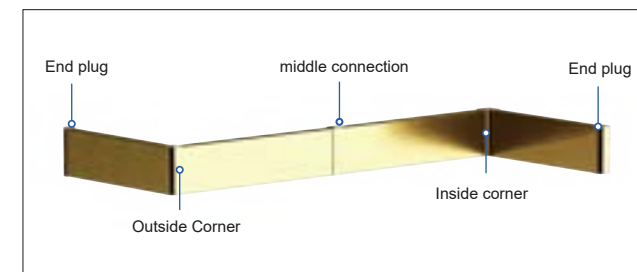


CAD LINE GRAPH

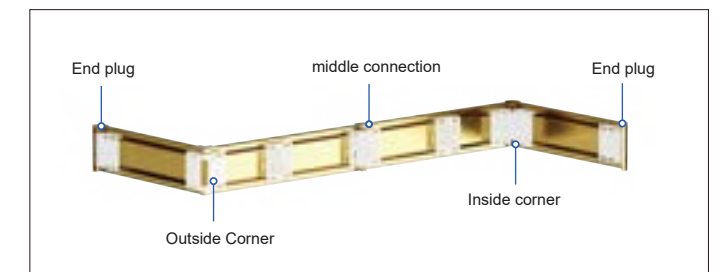
 <p>BM-XRY-100 LENGTH 2.5 THICKNESS (mm) 0.8</p>	 <p>BM-XRY-101 LENGTH 2.5 THICKNESS (mm) 0.8/1.0</p>	 <p>BM-XRY-102 LENGTH 2.5 THICKNESS (mm) 0.8/1.0</p>	 <p>BM-XRY-103 LENGTH 2.5 THICKNESS (mm) 0.8/1.0</p>
 <p>BM-XRY-104 LENGTH 2.5 THICKNESS (mm) 0.8/1.0/1.2</p>	 <p>BM-XRY-105 LENGTH 2.5 THICKNESS (mm) 0.8/1.0/1.2</p>	 <p>BM-XRY-106 LENGTH 2.5 THICKNESS (mm) 0.8/1.0</p>	 <p>BM-XRY-107 LENGTH 2.5 THICKNESS (mm) 1.2</p>

ACCESSORIES

				
Outside Corner	Inside corner	middle connection	End plug	Buckle



Front installation effect



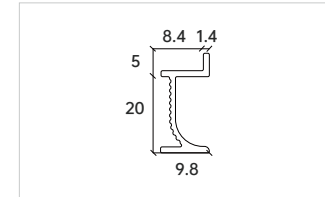
Installation effect on the back



HIDDEN SKIRTING LINE

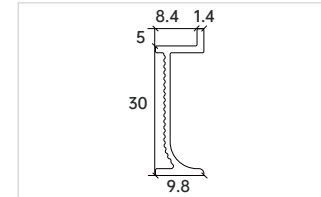


CAD LINE GRAPH



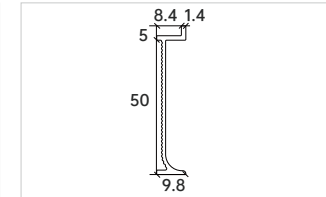
BM-XRY-108

LENGTH	THICKNESS (mm)
2.5	1.0



BM-XRY-109

LENGTH	THICKNESS (mm)
2.5	1.0



BM-XRY-110

LENGTH	THICKNESS (mm)
2.5	1.0

**ALUMINUM
EDGE
PROFILE**

ACCESSORIES



Outside Corner



Inside corner



middle connection



End plug



End plug

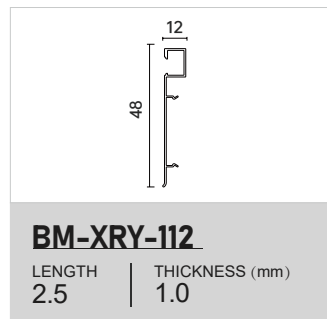
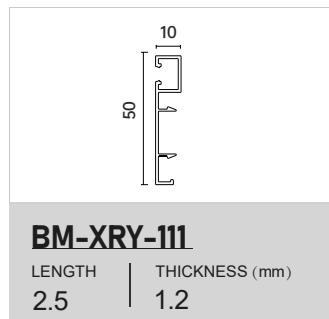
INSTALLATION RENDERINGS



LED LIGHT SWITH SKIRTING



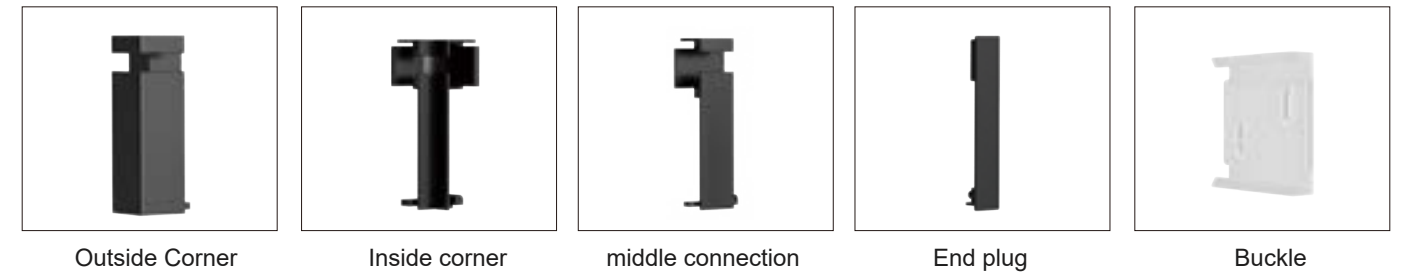
CAD LINE GRAPH



COLOR



ACCESSORIES



INSTALLATION STEPS



1.The reserved thread head is at the installation lamp slot, and the base is fixed.



2.Kick the line.



3.Stick the lamp strip into the lamp slot, and connect the positive and negative poles of the lamp strip with the thread end.



4.Connect the power supply for conducting test.



5.Button lampshade.

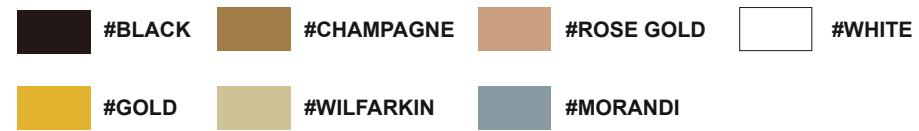


6.After the test, the light bar lights up normally.

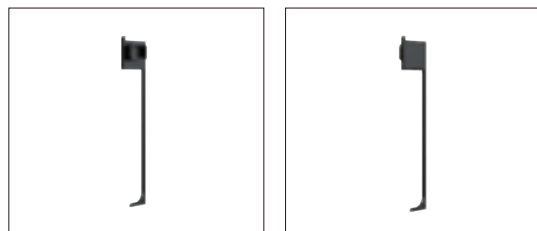
HIDDEN SKIRTING LINE



COLOR

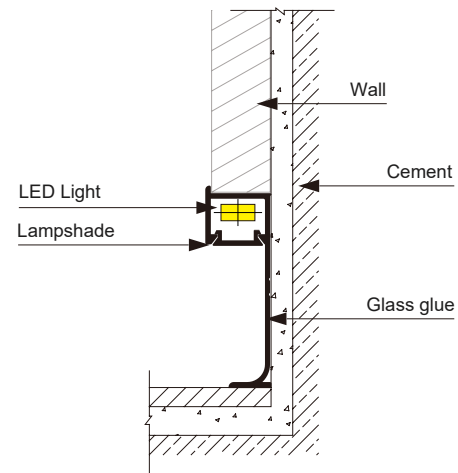


ACCESSORIES

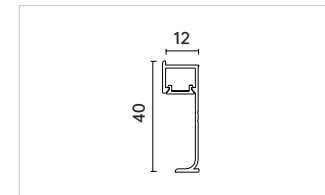


End plug

End plug

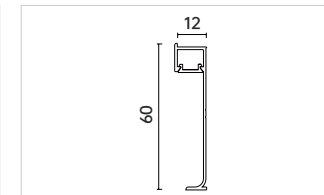


CAD LINE GRAPH



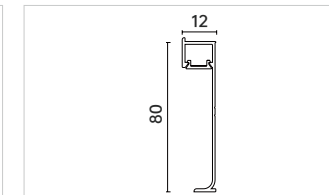
BM-XRY-113

LENGTH 2.5 | THICKNESS (mm) 0.8/1.0/1.2



BM-XRY-114

LENGTH 2.5 | THICKNESS (mm) 0.8/1.0/1.2



BM-XRY-115

LENGTH 2.5 | THICKNESS (mm) 0.8/1.0/1.2

**ALUMINUM
EDGE
PROFILE**





BASEBOARDS WITH LAMPSHADE



COLOR



ACCESSORIES



Outside Corner



Inside corner



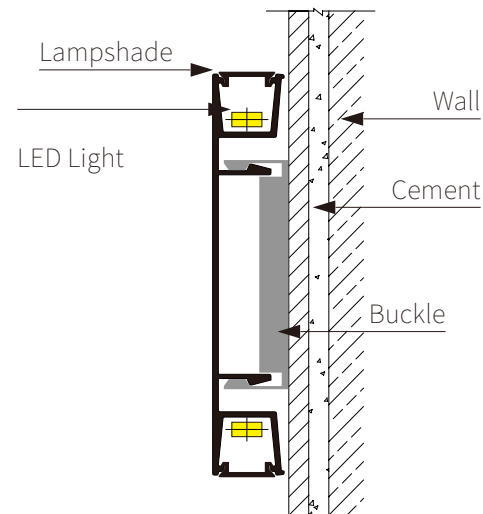
middle connection



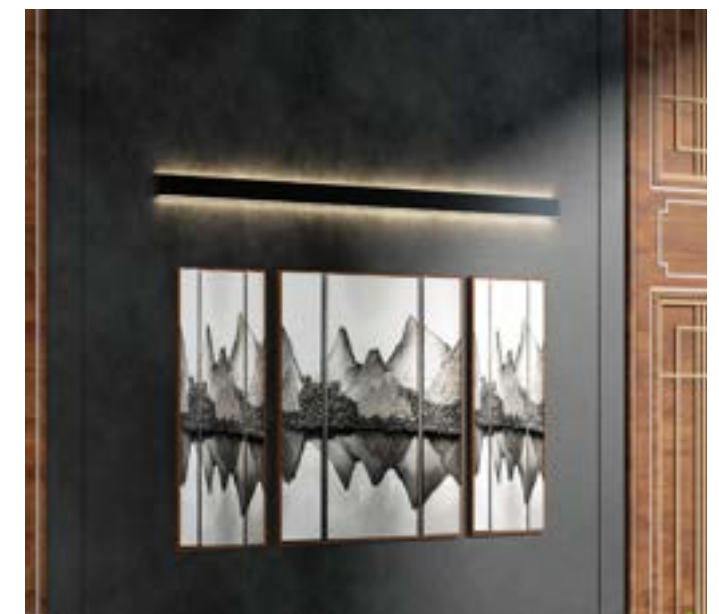
End plug



Buckle



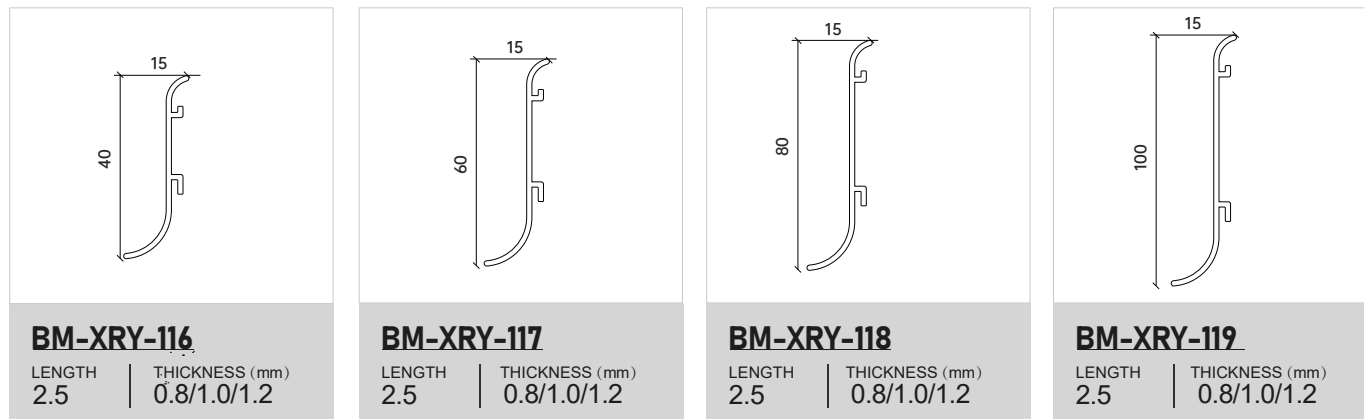
INSTALLATION RENDERINGS



1.ALUMINUM SKIRTING LINE



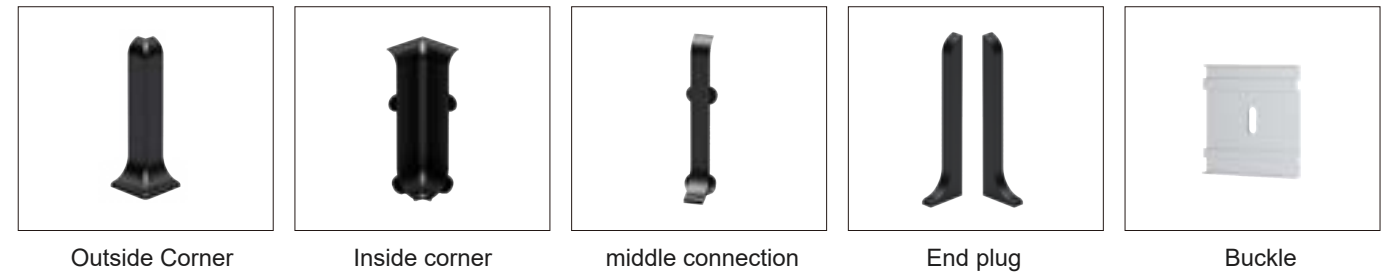
CAD LINE GRAPH



COLOR



ACCESSORIES



INSTALLATION RENDERINGS





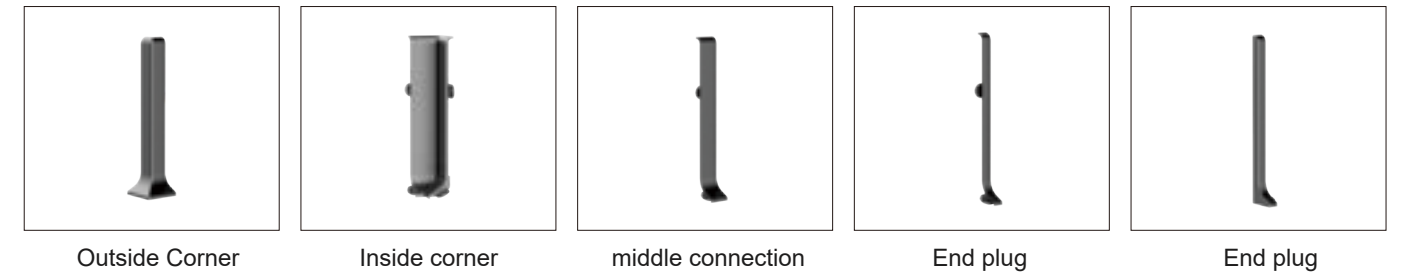
2.ALUMINUM SKIRTING LINE



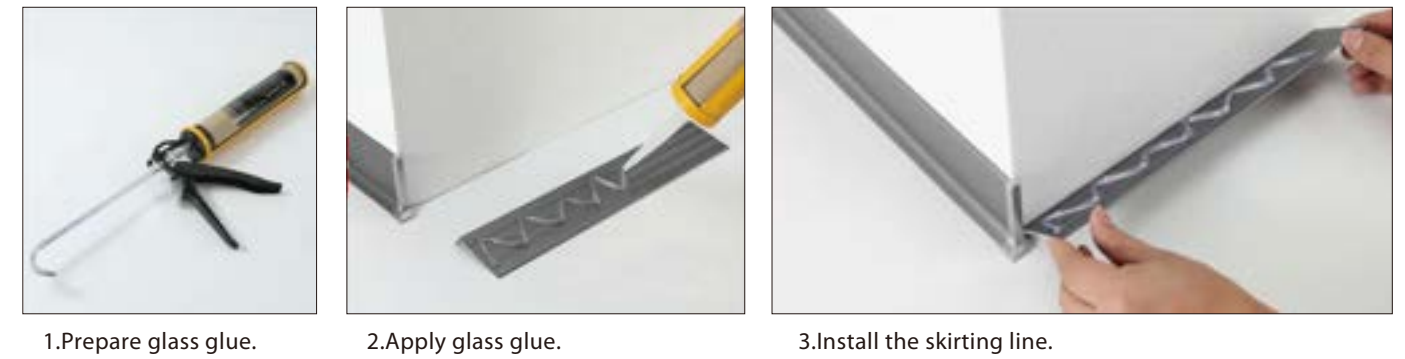
COLOR



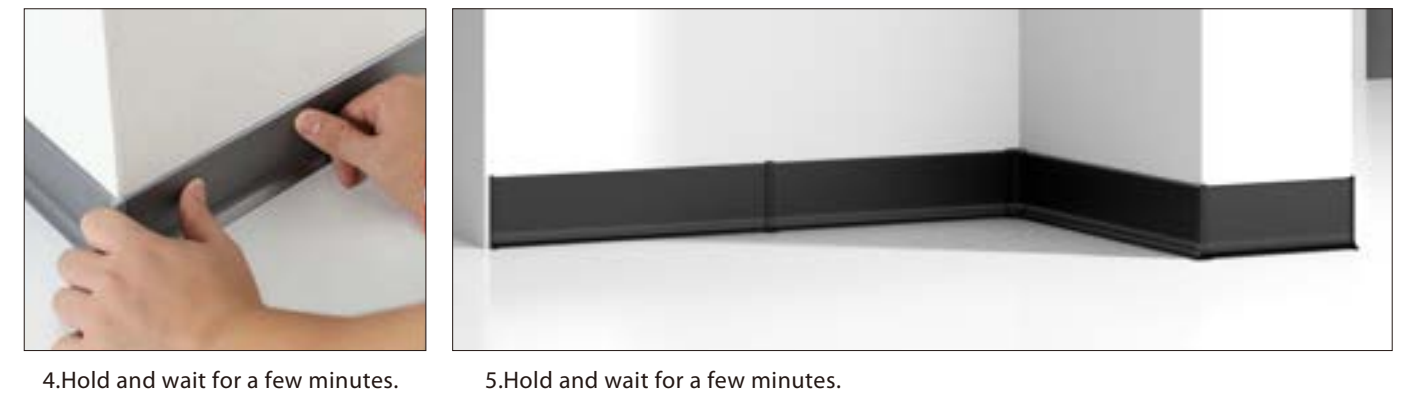
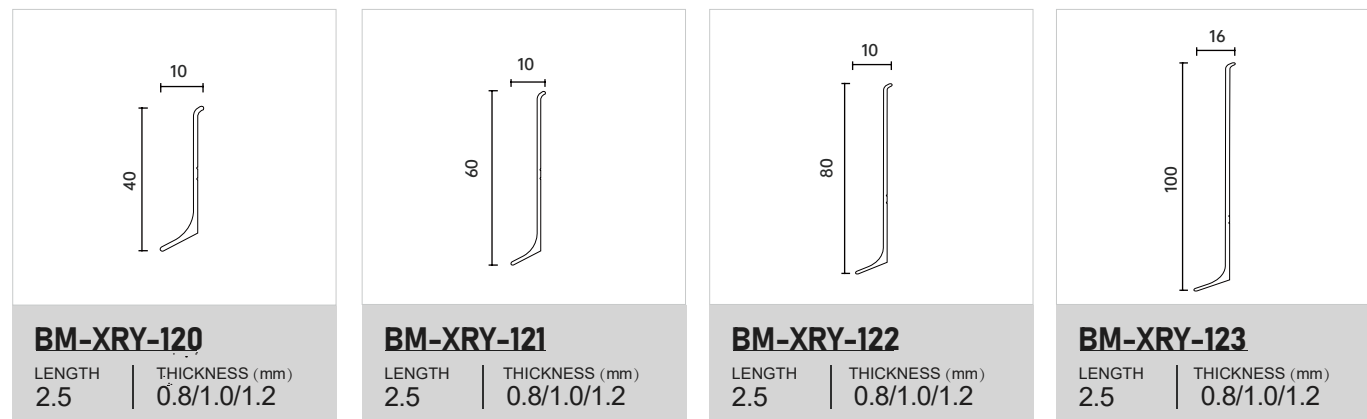
ACCESSORIES



INSTALLATION RENDERINGS



CAD LINE GRAPH



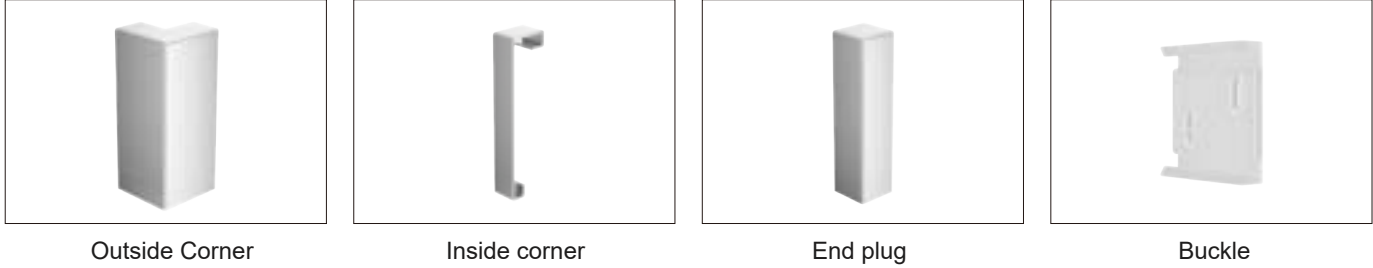
BASE-FREE STAINLESS STEEL SKIRTING



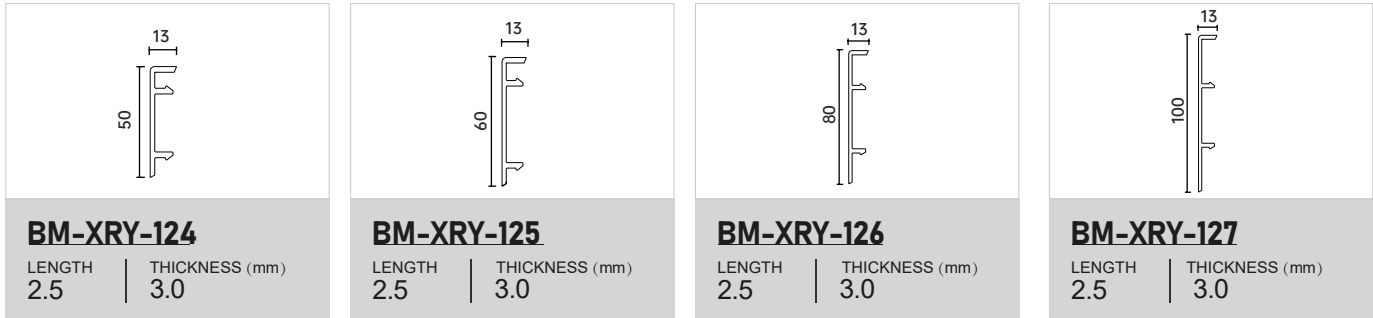
COLOR

- #BRUSHED ROSE GOLD
- #BRUSHED BLACK
- #BRUSHED STAINLESS STEEL SILVER
- #BRUSHED TITANIUM GOLD

ACCESSORIES



CAD LINE GRAPH



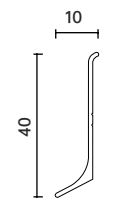
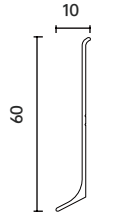
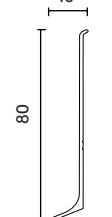
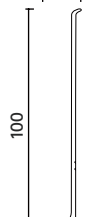
1. STAINLESS STEEL SKIRTING

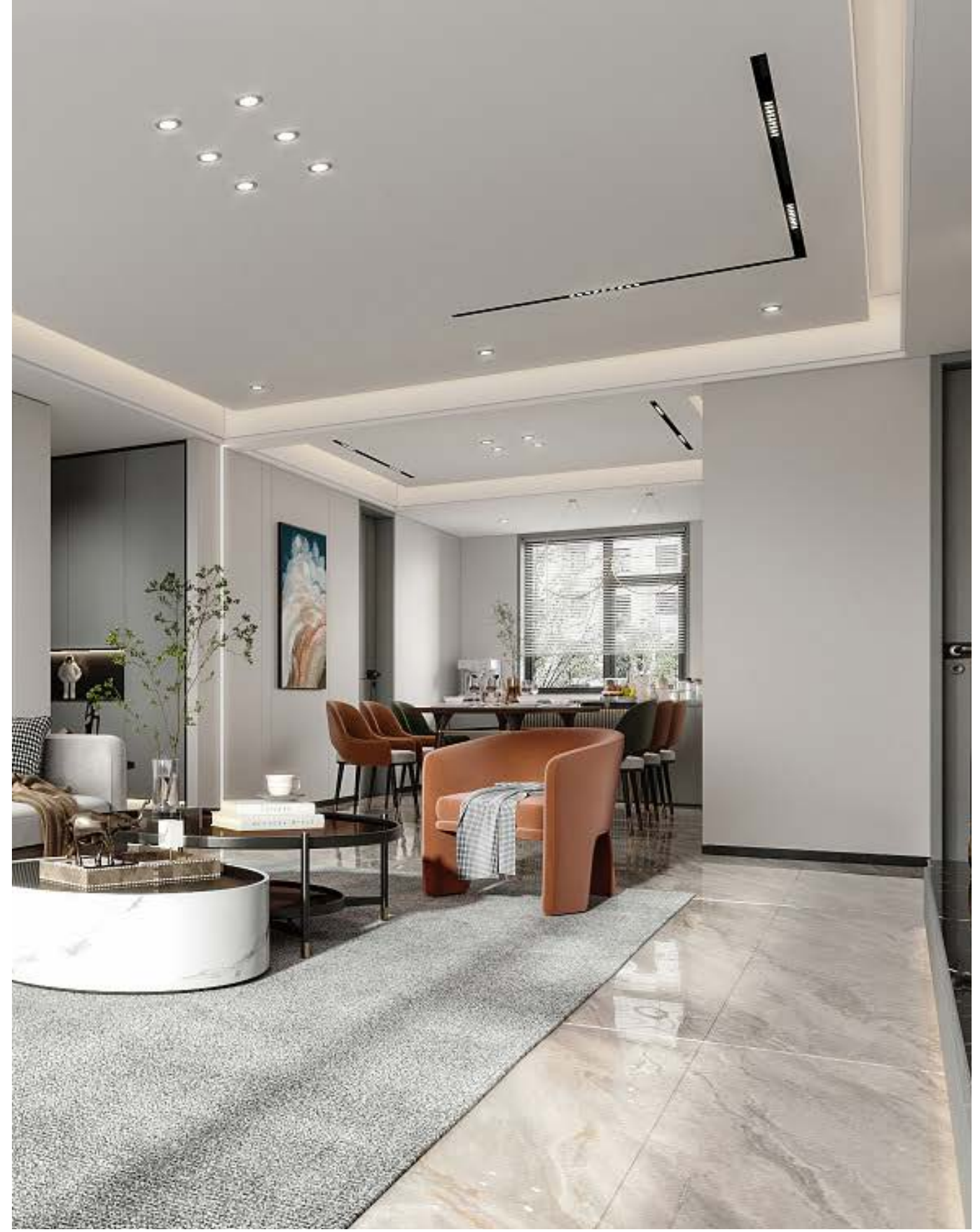


COLOR

- #BRUSHED ROSE GOLD
- #BRUSHED BLACK
- #BRUSHED STAINLESS STEEL SILVER
- #BRUSHED TITANIUM GOLD

CAD LINE GRAPH

																			
<p>BM-XRY-128</p> <table border="1"> <tr> <td>LENGTH</td> <td>THICKNESS (mm)</td> </tr> <tr> <td>2.5</td> <td>0.8</td> </tr> </table>	LENGTH	THICKNESS (mm)	2.5	0.8	<p>BM-XRY-129</p> <table border="1"> <tr> <td>LENGTH</td> <td>THICKNESS (mm)</td> </tr> <tr> <td>2.5</td> <td>0.8</td> </tr> </table>	LENGTH	THICKNESS (mm)	2.5	0.8	<p>BM-XRY-130</p> <table border="1"> <tr> <td>LENGTH</td> <td>THICKNESS (mm)</td> </tr> <tr> <td>2.5</td> <td>0.8</td> </tr> </table>	LENGTH	THICKNESS (mm)	2.5	0.8	<p>BM-XRY-131</p> <table border="1"> <tr> <td>LENGTH</td> <td>THICKNESS (mm)</td> </tr> <tr> <td>2.5</td> <td>0.8</td> </tr> </table>	LENGTH	THICKNESS (mm)	2.5	0.8
LENGTH	THICKNESS (mm)																		
2.5	0.8																		
LENGTH	THICKNESS (mm)																		
2.5	0.8																		
LENGTH	THICKNESS (mm)																		
2.5	0.8																		
LENGTH	THICKNESS (mm)																		
2.5	0.8																		





2.STAINLESS STEEL SKIRTING



COLOR

- #BRUSHED ROSE GOLD #BRUSHED BLACK
- #BRUSHED STAINLESS STEEL SILVER #BRUSHED TITANIUM GOLD

CAD LINE GRAPH

